

Mazda
GENUINE ACCESSORIES
INSTALLATION INSTRUCTIONS

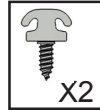
PART NUMBER:
0000-8K-P01

CARGO NET

APPLICABLE MODELS:
2011> MAZDA 2

PACKAGE CONTENTS

Cargo Net
Installation Instructions
Hardware Kit



TOOLS REQUIRED

Small flat-tip screwdriver

1 *Remove Trim Plugs*

1. Open rear hatch.
2. Locate 2 plastic fasteners on trim cargo area, 1 each side.
3. Using a small screwdriver, remove the plastic fasteners by prying out the center. (Fig. 1)

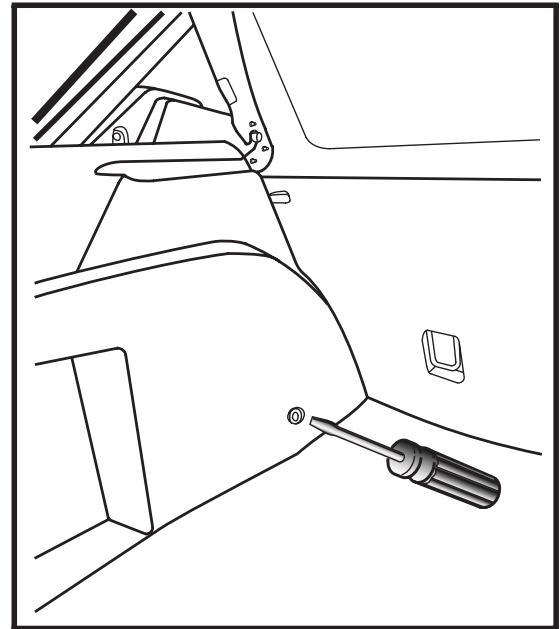


Fig. 1

2 *Install Hardware*

4. Install the T-Anchors from Anchor Assy with the self-tapping screws in the lower opening, each side. May require slight force to begin. Tighten snugly and ensure the T-Anchor is in the up/down position when tight. Do not tighten excessively. (Fig. 2A)

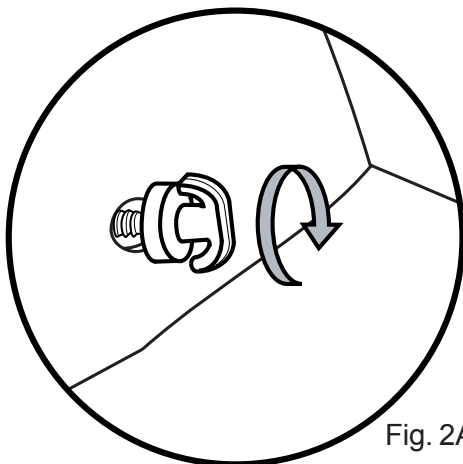


Fig. 2A

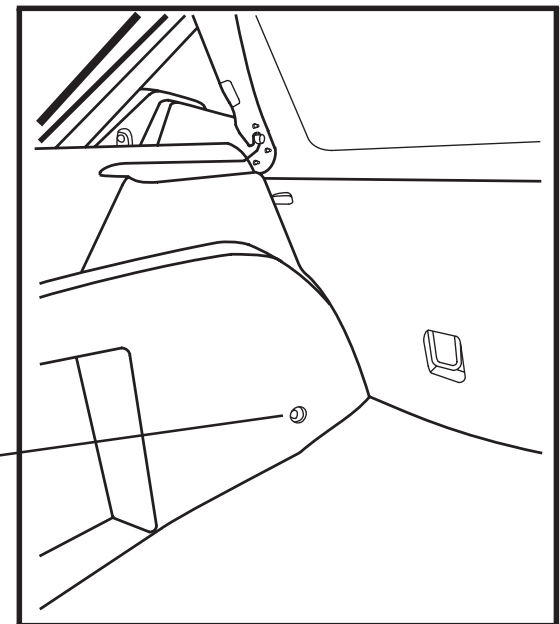


Fig. 2

3

Install Cargo Net

5. Install the cargo net by pulling each bottom corner bungee loop around T-Anchors. Install top hooks to the seat latches. Ensure the cargo net opening is in the up position and the pull handle is facing rearward. (Fig 3)

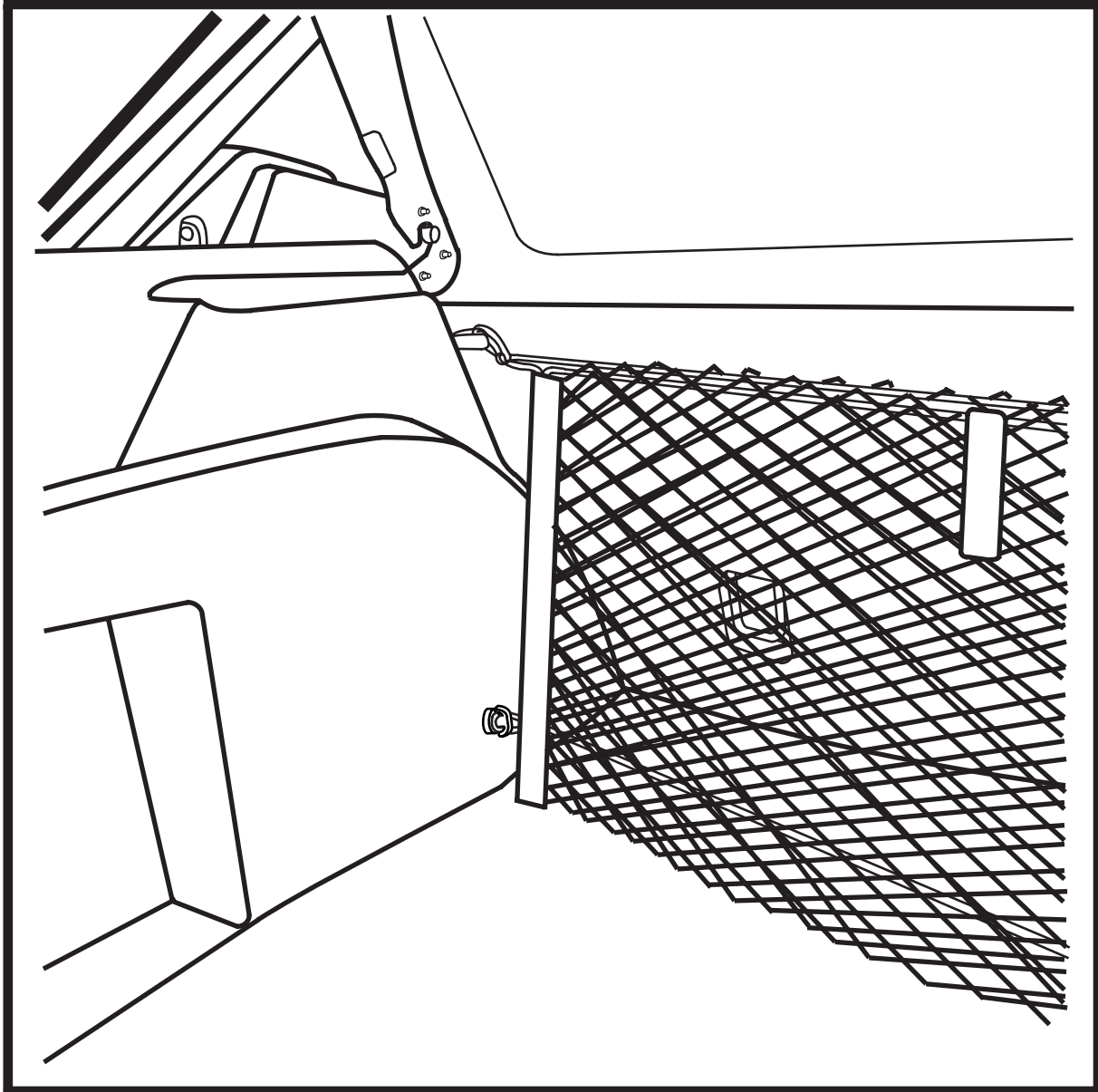


Fig. 3